

52,703,08.5



We strive to ensure that our products are of the highest quality and free of manufacturing defects or missing parts. However, if you have any problems with your new product,

DO NOT RETURN IT TO THE STORE,

please contact us toll free @:

1-888-996-2729

FAX: 1-866-873-3531

gamerom@escaladesports.com

Or write to:

Escalade Sports

Customer Service Department

P.O. Box 889

Evansville, IN 47706

Please visit our Web site at:

www.escaladesports.com

Please have your date code when inquiring about parts.

When contacting Escalade Sports please provide your model number, date code (if applicable), and part number if requesting a replacement part. These numbers are located on the product, packaging, and in this owners manual.

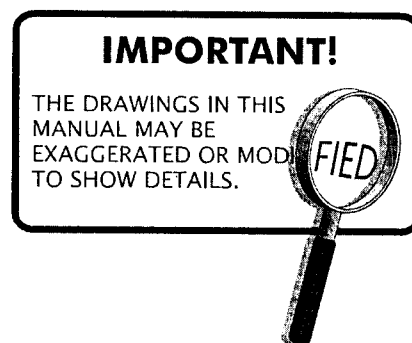
Your Model Number G04863F220

Date Code: 2-G04863F220-1214-WJ

Purchase Date: _____

PLEASE RETAIN THIS INSTRUCTION MANUAL FOR FUTURE REFERENCE

**IMPORTANT! READ EACH STEP
IN THIS MANUAL BEFORE YOU
BEGIN THE ASSEMBLY.**



FOUR ADULTS ARE REQUIRED TO ASSEMBLE THIS ATOMIC HOCKEY TABLE

Tools Needed:

- Wrench T1- Included with the table
- Clean Cloth

Assembly Tips

Make sure you understand the following tips before you begin to assemble your Atomic Hockey Table.

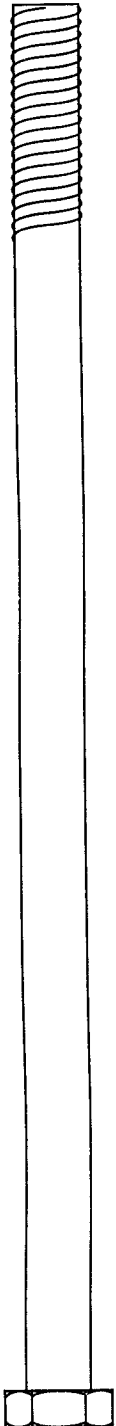
1. Start **ALL** bolts by hand before tightening.
2. Some drawings or images in this manual may not look exactly like your product. Please read and understand the text before starting each assembly step.



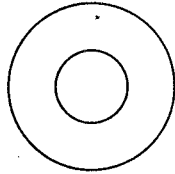
WARNING:

**READ AND FOLLOW ALL ASSEMBLY, OPERATION AND
SAFETY INSTRUCTIONS CAREFULLY. AT LEAST FOUR
ADULTS ARE NEEDED TO PUT THIS ATOMIC HOCKEY
TABLE TOGETHER.**

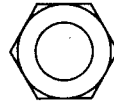
HARDWARE IDENTIFIER (To Scale)



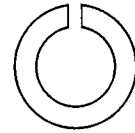
H1 - 3/8" x 7-1/2"
Hex Bolt (12)



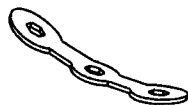
H2 - 3/8" x 23mm
Flat Washer (24)



H3 - 3/8"
Nut (12)



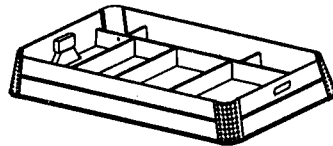
H4 - 3/8"
Lock Washer (12)



(Not to Scale)

T1 - Wrench (1)

PARTS IDENTIFIER (Not to Scale)



P1 - Main Cabinet (1)

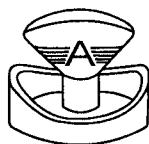


P2 - Leg (4)



P3 - Leg Leveler (4)

ACCESSORY IDENTIFIER (Not to Scale)



A1 - Striker
with Felt Pad (4)



A2R - Red Puck (2)
A2W - White Puck (2)

PARTS REQUIRED:

12 pcs - H1 Hex Bolt	1 pc - P1 Main Cabinet
24 pcs - H2 Flat Washer	4 pcs - P2 Leg
12 pcs - H3 Nut	4 pcs - P3 Leg Leveler
12 pcs - H4 Lock Washer	1 pc - T1 Wrench

STEP 1.

Move the table to room of choice before starting installation. Leave the Main Cabinet P1 face down in the carton to protect the table.

Attach each Leg P2 as shown in FIGURE 1. Place Washer H2 on Bolt H1, insert bolts through support in Main Cabinet P1 and Leg P2. Next, place Washer H2 and Lock Washer H4 on the Bolt and secure using Nut H3. Tighten all hardware securely using the Wrench T1 provided and an adjustable wrench. Repeat as shown with each remaining leg.

Next, thread Leg Levelers P3 into the bottom of each leg as shown.

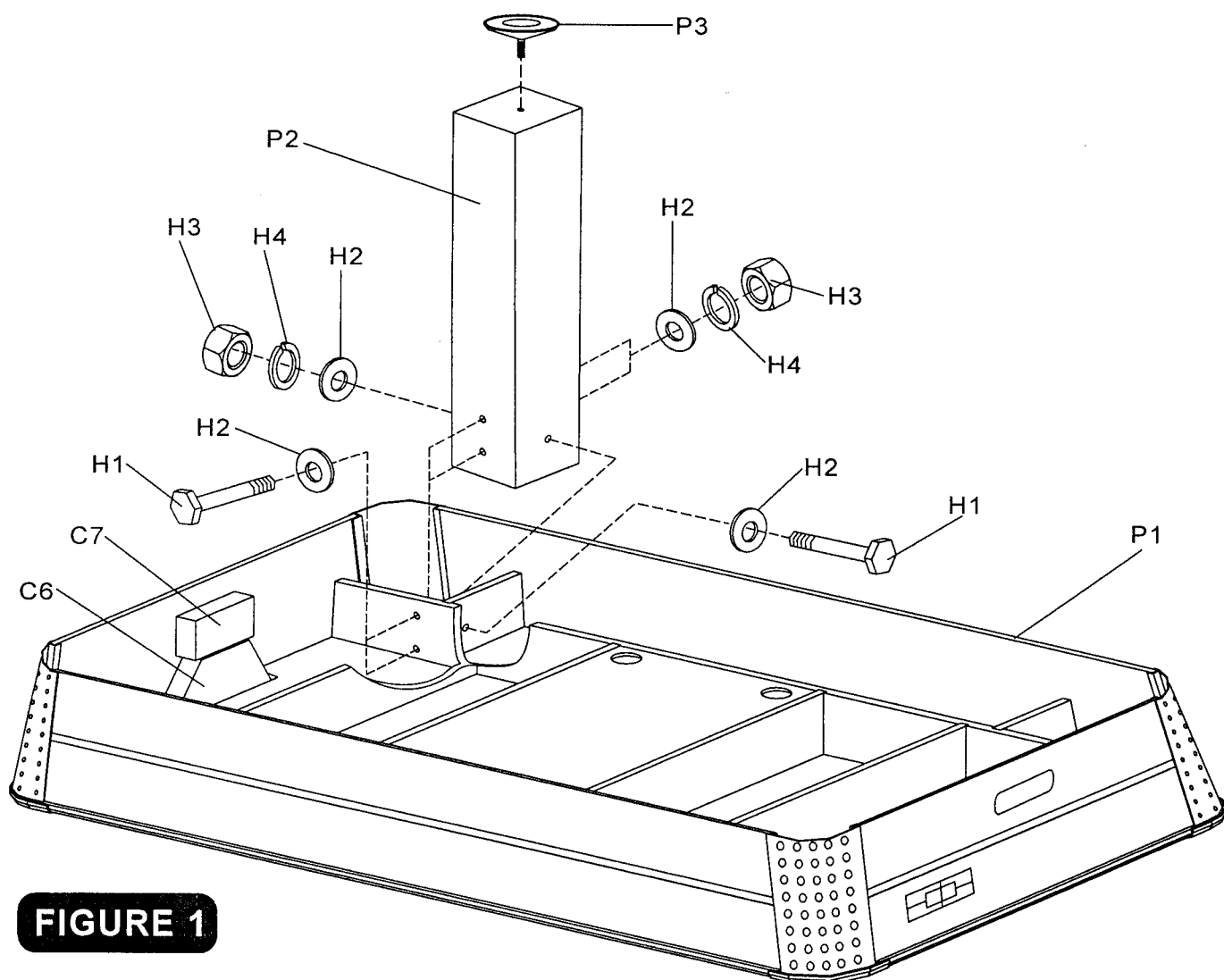


FIGURE 1



WARNING:

**STEP 2 REQUIRES AT LEAST FOUR ADULTS
THIS TABLE IS VERY HEAVY.**

STEP 2.

With the help of 4 adults, **CAREFULLY** lift and rotate this table into an upright position. Lastly, place a carpenter's level on the playfield and adjust the Leg Levelers P3 to level the Hockey Table.

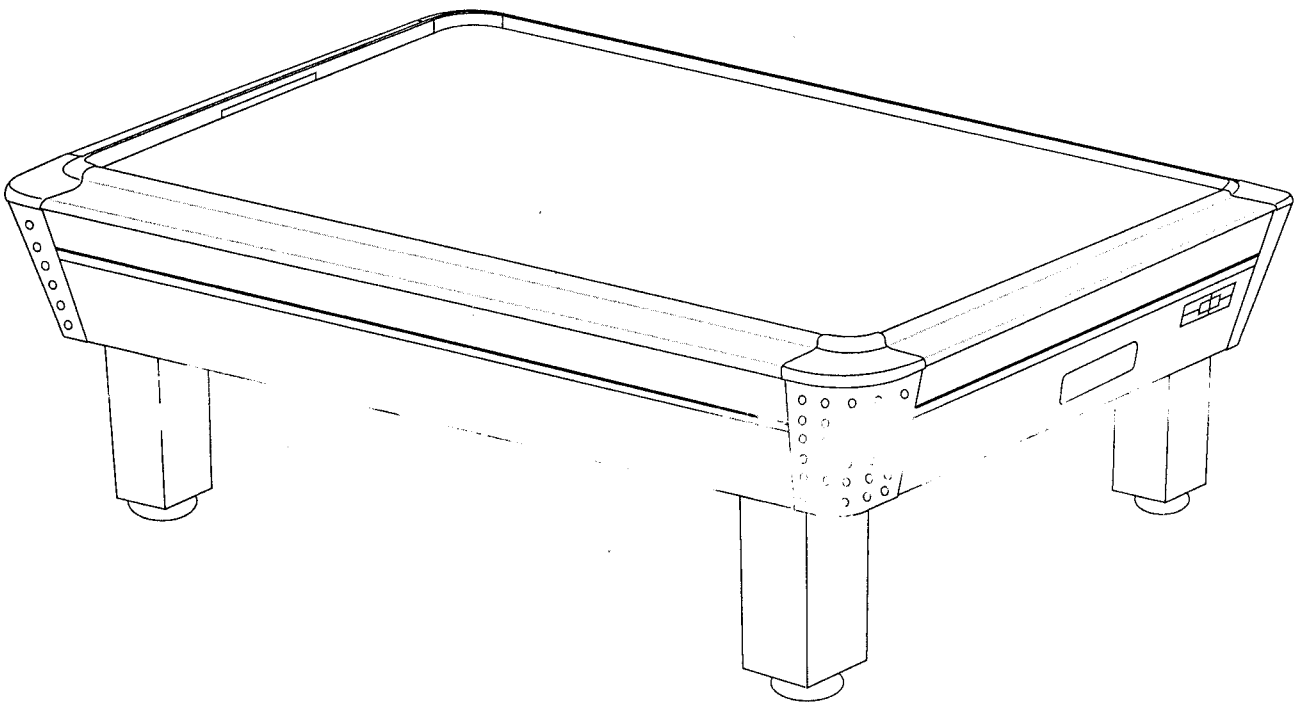


FIGURE 2

Congratulations! You have now assembled your Atomic Hockey Table. Please note the instructions below to ensure many years of trouble free use of your Atomic Hockey Table.

CARE AND USE OF YOUR ATOMIC HOCKEY TABLE

1. Use only a suitable 120v AC household outlet, and insure the cord is not a trip hazard.
2. Spray furniture polish is recommended to both protect the play field and increase the puck speed. Apply and wipe off with the air motor on.
3. This product is intended for **INDOOR** use only.
4. **DO NOT** operate the motor if the cord is damaged in any way.
5. **DO NOT** sit, climb or lean on the table.
6. **DO NOT** drag the table when moving it. This will damage the legs.
7. **DO NOT** set drinks on the table.

OPERATION OF THE CONTROL PANEL

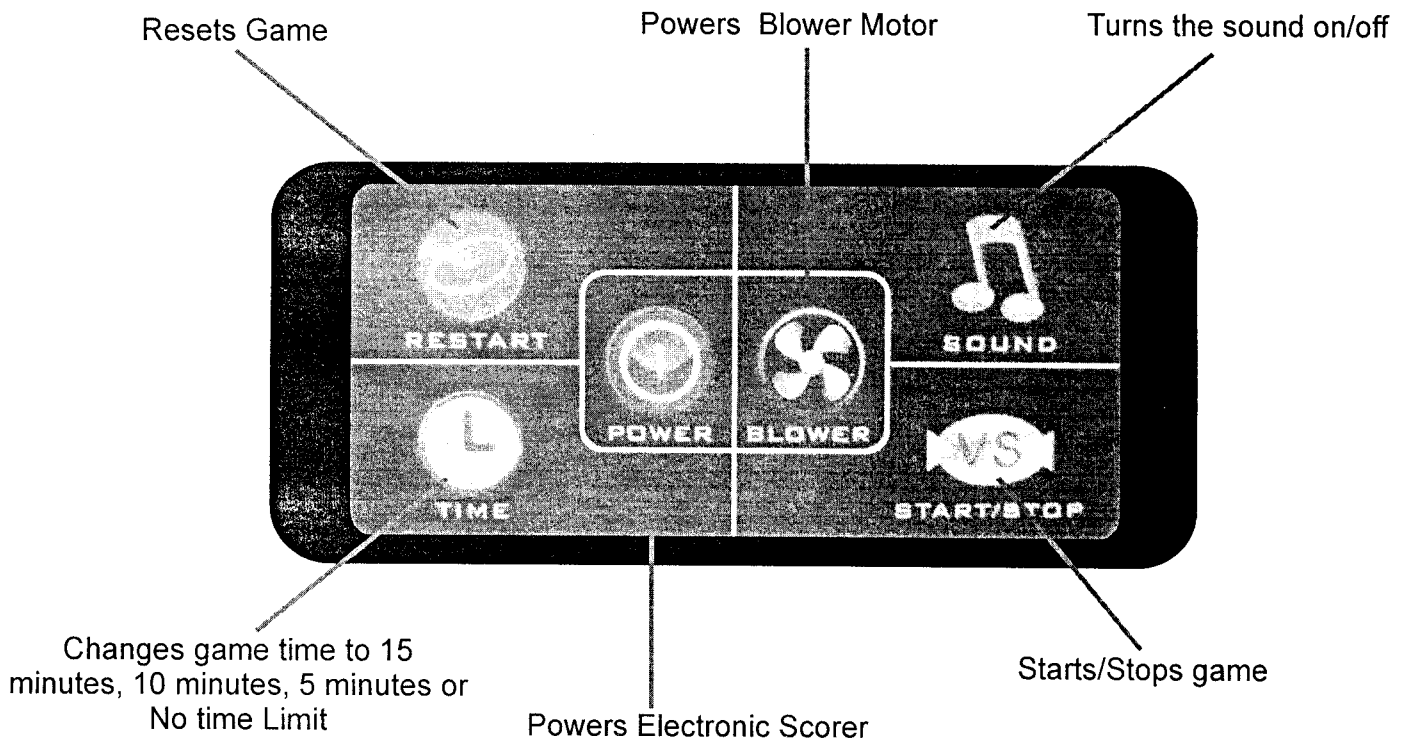


TABLE HOCKEY RULES

The Object of the Game

To score a predetermined number of points or to score the most points in a given amount of time.

To Play

Flip a coin to determine who will begin play. Play begins when the puck is placed on the playing surface. Players must hit the puck with the striker and attempt to shoot it into their opponent's goal. One point is awarded when a puck is shot into the opponent's goal.

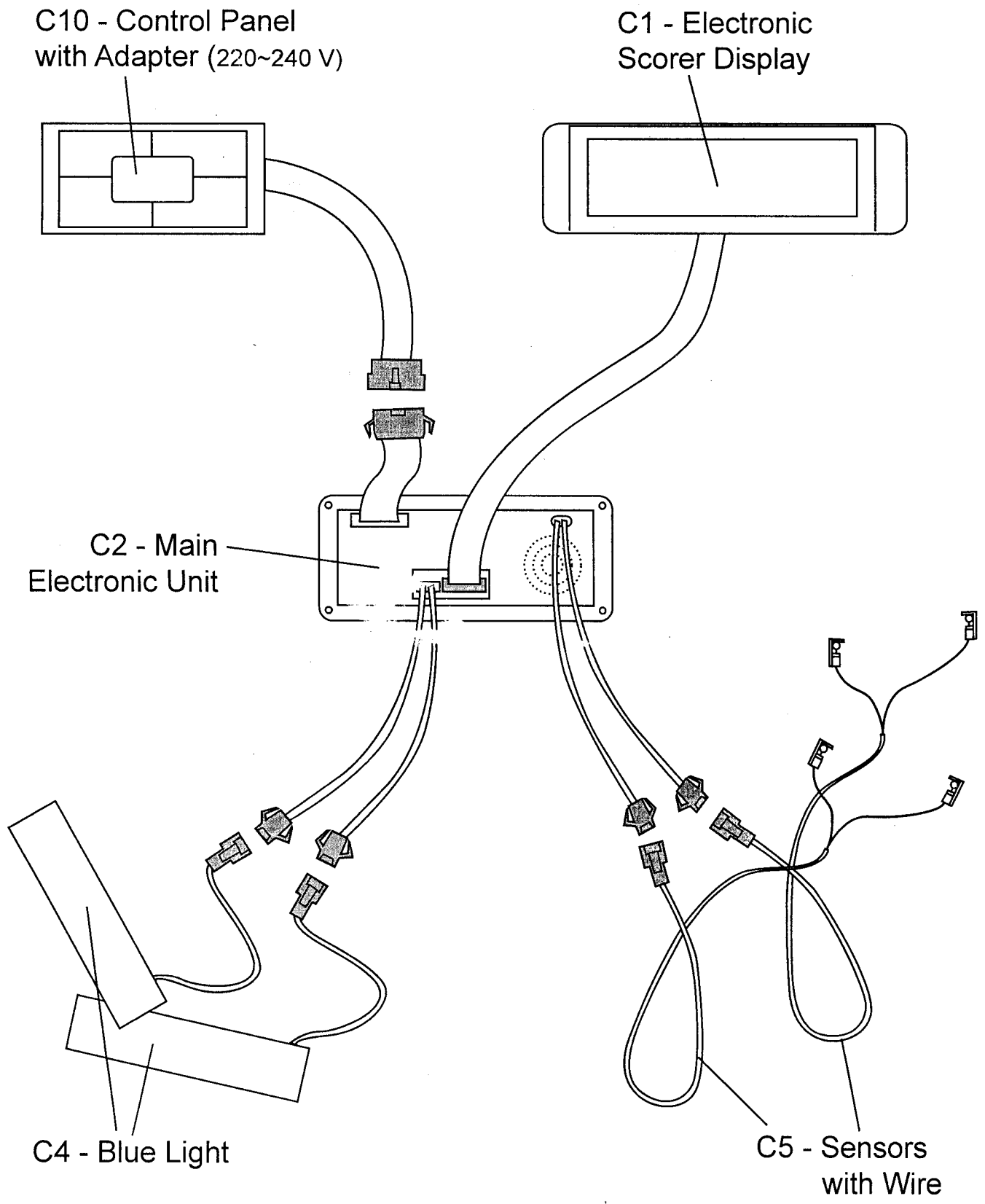
Sometimes pucks can fly off the table. If this occurs, players may take turns placing the puck back on the table.

PRODUCT PARTS LIST

G04863F220

Part #	Key #	Description	Qty.
04863WJH1	H1	3/8"x7-1/2" Hex Bolt	12
04863WJH2	H2	3/8"x23mm Flat Washer	24
04863WJH3	H3	3/8" Nut	12
04863WJH4	H4	3/8" Lock Washer	12
04863WJP1	P1	Main Cabinet (No Motor)	1
04863WJP2	P2	Leg	4
04863WJP3	P3	Leg Leveler	4
04863WJA1	A1	Striker with Felt Pad	4
04863WJA2R	A2R	Red Puck	2
04863WJA3W	A2W	White Puck	2
04863WJC1	C1	Electronic Scorer Display	1
04863WJC2	C2	Main Electronic Unit	1
04863WJC3	C3	----	---
04863WJC4	C4	Blue Light	2
04863WJC5	C5	Sensors with Wire	2
04863WJC6	C6	Upper Puck Catcher (No Plastic Puck Stop)	2
04863WJC7	C7	Bottom Puck Catcher	2
04863WJC8	C8	Plastic Puck Stop	2
04863WJC9	C9	----	---
04863WJC10	C10	Control Panel with Adapter (220~240 V)	1
04863WJC11	C11	Blower Motor (220~240 V)	1
04863WJT1	T1	Wrench	1
04863WJM1	M1	Manual	1

ATOMIC HOCKEY TABLE **ELECTRONIC SCORER SPARE PARTS**



3 YEAR LIMITED WARRANTY

This customer warranty extends to the original owner, on the purchase of any ESCALADE SPORTS Product (hereinafter referred as the "Product").

WARRANTY DURATION: This Product is warranted to the original owner, for a period of **3 years** from the original purchase for table components except electronics. The electronic unit is covered for **1 year** from the original purchase.

THIS PRODUCT IS INTENDED FOR HOME USE ONLY:

THIS WARRANTY IS VOID IF USED IN A PUBLIC PLACE OF BUSINESS OR USED INSTITUTIONALLY IN SCHOOLS, CORRECTIONAL FACILITIES, RECREATIONAL CENTERS, CAMPS, CHURCHES, DAY-CARES OR ANY OTHER PUBLIC USE FACILITY.

WARRANTY COVERAGE: ESCALADE SPORTS warrants to the original owner, this product to be free from defects in material and workmanship when used for the intended purpose under normal use and conditions. THIS WARRANTY IS VOID IF THE PRODUCT HAS BEEN DAMAGED BY ACCIDENT, UNREASONABLE USE, NEGLIGENCE, IMPROPER SERVICE, FAILURE TO FOLLOW INSTRUCTIONS PROVIDED WITH THE PRODUCT OR OTHER CAUSES NOT ARISING OUT OF DEFECTS IN MATERIAL AND WORKMANSHIP.

SHIPPING DAMAGE:

Shipping damage is not considered defect in material or workmanship. Please file a freight claim or consult your retailer in those instances.

WARRANTY REPLACEMENT: During the above 3 year warranty period, ESCALADE SPORTS shall provide replacement components or replace with a comparable product at our choosing. If product is defective under normal use and proper care, please contact our Customer Service Dept.

1-888-996-2729 / Customer Service Dept.

Or Write us at:

Escalade® Sports, Inc. - P.O. Box 889, Evansville, IN 47706

Attn: Customer Service Dept.

Or E-mail us at:

gameroom@escaladesports.com

Other than shipping requirements no charge will be made for such replacement of in-warranty Products.

WARRANTY DISCLAIMERS: ANY IMPLIED WARRANTIES ARISING OUT OF THIS SALE, INCLUDING BUT NOT LIMITED TO THE IMPLIED WARRANTIES OF MERCHANTABILITY AND FITNESS FOR A PARTICULAR PURPOSE, ARE LIMITED IN DURATION TO THE ABOVE 3 YEAR PERIOD. ESCALADE SPORTS SHALL NOT BE LIABLE FOR LOSS OF USE OF THE PRODUCT OR OTHER CONSEQUENTIAL OR INCIDENTAL COSTS, EXPENSES OR DAMAGES INCURRED BY THE CONSUMER OF ANY OTHER USE.

Some states do not allow the exclusion or limitation of implied warranties or consequential or incidental damages, so the above limitations or exclusions may not apply to you.

LEGAL REMEDIES: This warranty gives you specific legal rights and you may also have other rights which may vary from state to state.