

# Astro Titanium **New**

I  
Prodotto futuristico, adatto per ambienti moderni e minimalisti. Telaio con finitura effetto Titanium.

EN  
Futuristic product suitable for modern and minimalist settings. The frame has a Titanium powder-coated finish.

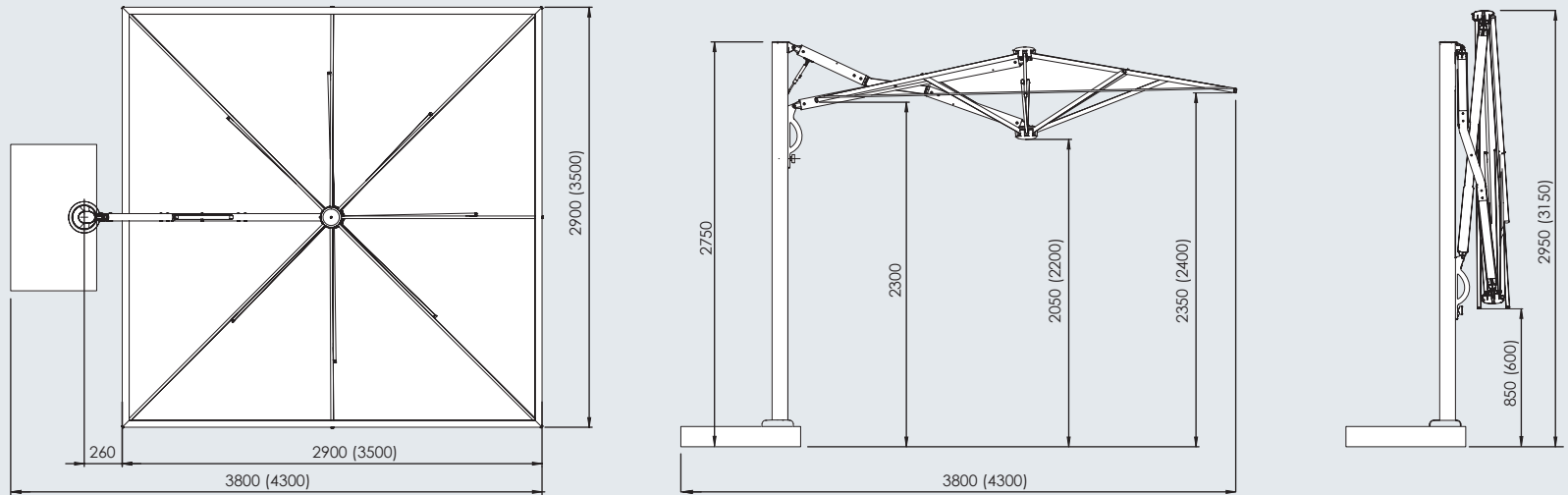
D  
Futuristisches Produkt, geeignet für moderne und minimalistische Bereiche. Gestell mit Titanium Effekt.

F  
Produit futuriste, adapte aux environnements modernes et minimalistes. Finition structure d'effet Titanium.

E  
Producto futurista, adecuado para ambientes modernos y minimalistas. Estructura acabada efecto Titanium.

300x300	300x400
350x350	

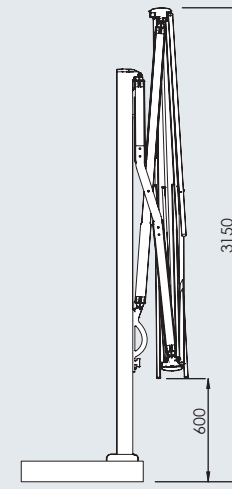
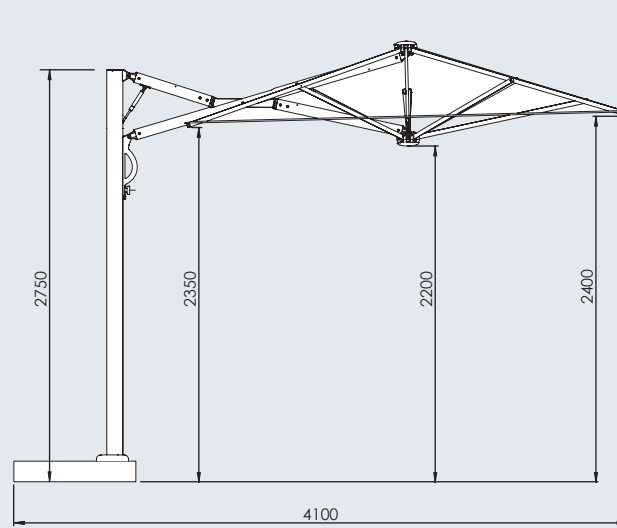
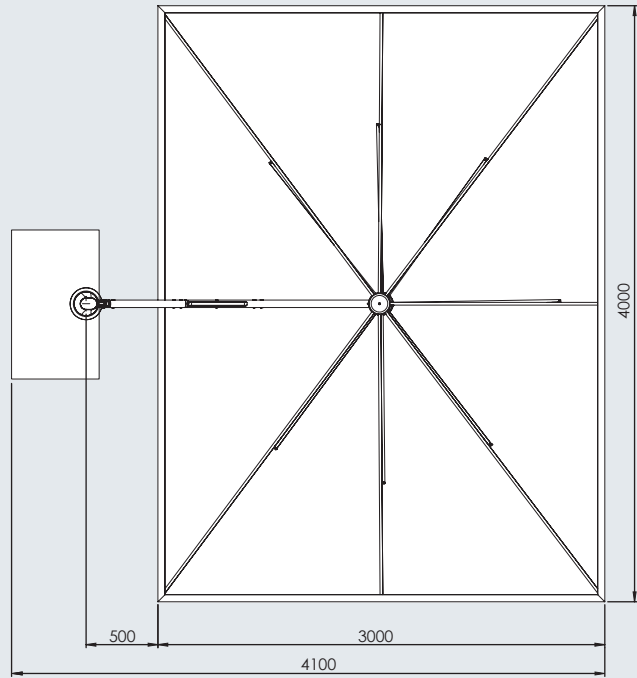




# Astro

StarWhite  
Carbon  
Titanium

CHARACTERISTICS										FINISHING					
	COD														INOX
3,0x3,0	STARWHITE C3030 ASW	55	0,45	110x76	STAR WHITE	8	STAR WHITE	18x30	●	●	●	●	●	●	●
	CARBON C3030 ASC				CARBON		CARBON								
	TITANIUM C3030 AST				TITANIUM		TITANIUM								
3,5x3,5	STARWHITE C3535 ASW	60	0,45	110x76	STAR WHITE	8	STAR WHITE	18x30	●	●	●	●	●	●	●
	CARBON C3535 ASC				CARBON		CARBON								
	TITANIUM C3535 AST				TITANIUM		TITANIUM								
3,0x4,0	STARWHITE C3040 ASW	60	0,45	110x76	STAR WHITE	8	STAR WHITE	18x30	●	●	●	●	●	●	●
	CARBON C3040 ASC				CARBON		CARBON								
	TITANIUM C3040 AST				TITANIUM		TITANIUM								



A1	T2	T3	T6	T7	T8	T9	S1
A1N	T2N	T3N	T6N	T7N	T8N	T9N	S1N
A1N	T2N	T3N	T6N	T7N	T8N	T9N	S1N
A1N	T2N	T3N	T6N	T7N	T8N	T9N	S1N

**OPTIONAL**

N°4 BC5151 N°12 BC5050	N°2 BV5050	FISSAGGIO TERRA INGROUND FIX	

# Fabric collection



## FATTORE DI PROTEZIONE SOLARE

Limita il passaggio del calore per più del 70%.  
Normativa UNI EN 410:2011

## SOLAR PROTECTION FACTOR

Harmful UV rays and limiting heat circulation  
Norm UNI EN 410:2011



## FATTORE DI PROTEZIONE LUMINOSA

Indica la percentuale di trasmissione della luce  
Normativa UNI EN 410:2011

## FACTOR OF SOLAR LIGHT PROTECTION

% of light transmission  
Norm UNI EN 410:2011



## FATTORE DI PROTEZIONE UPF

Protezione dai raggi U.V. (UPF) dal 85% al 100%  
Normativa UNI EN 13758-1:2007

## UPF PROTECTION FACTOR

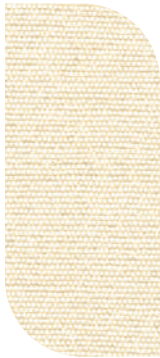


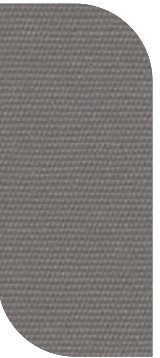
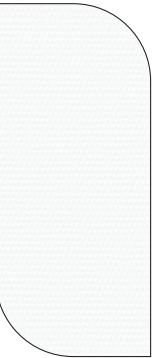

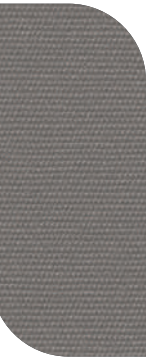




Harmful UV rays. (UPF) from 85% almost 100%  
Norm UNI EN 13758-1:2007

## SCHEDA TECNICA / DATA SHEET

COMPOSIZIONE / COMPOSITION	CARATTERISTICHE / FINISHING	SOLIDITÀ AL COLORE / COLOR FASTNESS	TRATTAMENTO / TREATMENT	IMPERMEABILITÀ / COLONNA D'ACQUA IMPERMEABILITY / WATER COLUMN
350 gr/m2 100% ACRYL	Inattaccabile da muffe e batteri. Solido alla luce Permeabile all'aria Antimacchia	GRADO 7/8 ENSIO 105-B04	RESINE TEFLON IDRO-OLEOREPELLENZA	CIRCA 25 CM
350 gr/m2 100% ACRYL	Resistant to mold and bacteria. Color fast. Breathable. Stain REPELLENT.	GRADE 7/8 ENSIO 105-B04	TEFLON RESIN WATER-OILREPELLENCY	ABOUT 25 CM



# Fabric collection

<b>350</b> <b>GR/M<sup>2</sup></b> <b>ACRYLIC</b>									
	<b>A1</b> ECRU NATURAL COL. NATUR	<b>T2</b> TERRACOTTA ZIEGELROT TERRACOTTA	<b>T3</b> BORDEAUX	<b>T6</b> GRIGIO TAUPE GREY TAUPE GRAU TAUPE GRIS TAUPE GRIJS TAUPE	<b>T7</b> BIANCO WHITE BLANC WEISS	<b>T8</b> GRIGIO PERLA SILVER GREY SILBERGRAU	<b>T9</b> GRIGIO ANTRACITE ANTHRACIT GREY ANTHRACITGRAU	<b>S1</b> NERO / BLACK SCHWARZ NOIRE NEGRO ZWART	
		70/80%	> 90%	> 90%	> 90%	70/80%	> 90%	> 90%	> 90%
		20/30%	< 10%	< 10%	< 10%	20/30%	< 10%	< 10%	< 10%
	85/89%	100%	100%	100%	85/89%	100%	100%	100%	

I dati forniti, pur essendo frutto di misurazioni scientifiche condotte in laboratori certificati, sono da ritenersi indicativi.  
 The above mentioned data are indicative, although provided by scientific measurements performed in certified laboratories.



.Dimensione (metri)  
 .Dimensions (meters)  
 .Masse (Meter)  
 .Dimensions (metrès)  
 .Dimensiones ( en metros)



.Fodero  
 .Cover bag  
 .Schutzhuelle  
 .Housse  
 .Forro



.Base girevole a 360°C  
 .Revolving base 360°C  
 .360°C drehbarer Staender  
 .Base tournant 360°C  
 .Base giratoria 360°



.Codice  
 .Code  
 .Artikelcode  
 .Code  
 .Código



.Sistema retrattile  
 .Retractile system  
 .Einziehbares System  
 .Système retractile  
 .Sistema retráctil



.Sezione sostegno (mm)  
 .Support section (mm)  
 .Mastprofil (mm)  
 .Section support (mm)  
 .Sección soporte (mm)



.Lunghezza  
 .Length  
 .Laenge  
 .Longueur  
 .Longitud



.Apertura con molla a gas  
 .Gas spring opening  
 .Gasfeder oeffnung  
 .Ouverture avec ressort à gaz  
 .Abertura muelle a gas



.Viteria in inox e ottone nichelato  
 .Screws in Stainless steel and nickel plated brass  
 .Edelstahlschrauben und vernickeltes Messing  
 .Visserie inox et laiton nickelé  
 .Tornillos en acero inoxidable y bronce niquelado



.Peso  
 .Weight  
 .Gewicht  
 .Poids  
 .Peso



.Con base/supporto  
 .With base/support  
 .Mit Staender/Huelse  
 .Avec base/support  
 .Con base/ soporte



.Tipo finitura della struttura/sostegno/componenti  
 .Finishing for frame/structure/components  
 .Ausfuehrung des Gestells/der Struktur/der Bestandteile  
 .Finition armature/structure/composants  
 .Tipo de acabadò de la estructura/Soportes/componente



.Volume (m3)  
 .Volume (m3)  
 .Volumen (m3)  
 .Volume (m3)  
 .Volumen (m3)



.Sezione stecche  
 .Rib section  
 .Strebenprofil  
 .Section baleines  
 .Sección varillas



.Colore dei componenti/stecche  
 .Component/Ribs colour  
 .Farbe der Bestandteile und Streben  
 .Couleur des composants et baleines  
 .Color de los componentes ò piezas/Varillas ò listones



.Stecche  
 .Ribs  
 .Streben  
 .Baleines  
 .Varillas



.Camino antivento  
 .Wind cap  
 .Windfang  
 .Souffle  
 .Chimenea antiviento



.Stecca con sistema "easy change"  
 .Ribs with "easy change" system  
 .Streben mit "easy change" System  
 .Baleines avec "easy change" système  
 .Varillas con sistema de " cambio fácil"



.Massima Stabilità Ottenibile  
 .Maximum Obtainable Stability  
 .Maximal Erhaeltliche Stabilitaet  
 .Maximum De Stabilitée Realisable  
 .Maxima Estabilidad Posible



.Peso consigliato in condizioni normali  
 .Recommended weight in normal condition  
 .Empfohlenes gewicht unter normalen bedingungen  
 .Poids recommande dans des conditions normales  
 .Peso recomendado en condiciones normales



.Peso minimo richiesto  
 .Minimum ballast required  
 .Erforderliches mindestgewicht  
 .Poids minimum requis  
 .Peso minimo requerido